

R Radio Frequency Global

#614, A Dong, Noblereach,367-5, Yatap-Dong,Seongnam-si
tel : 031-702-5813 fax : 031-702-5814

www.rfg-korea.co.kr

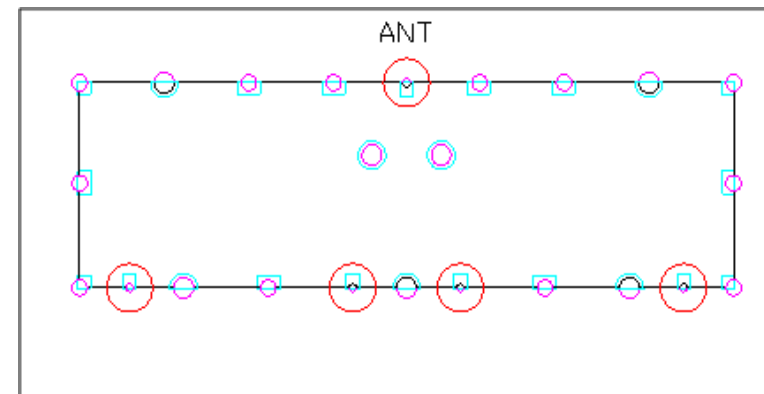
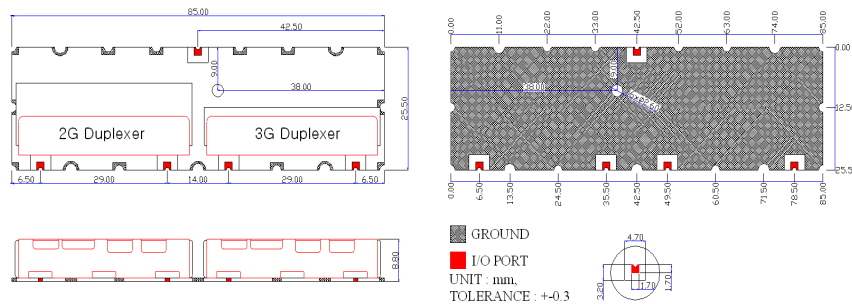


1. PART NO : RFG_GSM/DCS 1800-Multiplexer

2. ELECTRICAL SPECIFICATION

ITEM	SPEC				UNIT
Center Frequency(Fo)	895(port1)	942.5(port2)	1747.5(port3)	1842.5(port 4)	MHz
Band Width(BW)	880~910	925~960	1710~1785	1805~1880	MHz
Insertion Loss	3.5	3.5	3.5	3.5	dB max
Ripple	2.0	2.0	2.0	2.0	dB max
Return Loss	18.0	18.0	18.0	18.0	dB min
ATTENUATION (absolute value)	at port 2 50	por1 45	por1 50	por1 50	dB min
	at port 3 50	por3 50	por2 50	por2 50	dB min
	at port 4 50	por4 50	por4 45	por3 45	dB min
	at 917.5MHz 12	917.5MHz 8	1795MHz 10	1795MHz 15	dB min
Operation Temperature Range	-30 ~ +80				℃
Input Power	2.0 max				W
In / Out Impedance	50				Ω

3. DIMENSION



4. TYPICAL CHARACTERISTIC

