

R Radio Frequency Global

#614, A Dong, Noblereach,367-5, Yatap-Dong,Seongnam-si
tel : 031-702-5813 fax : 031-702-5814

www.rfg-korea.co.kr

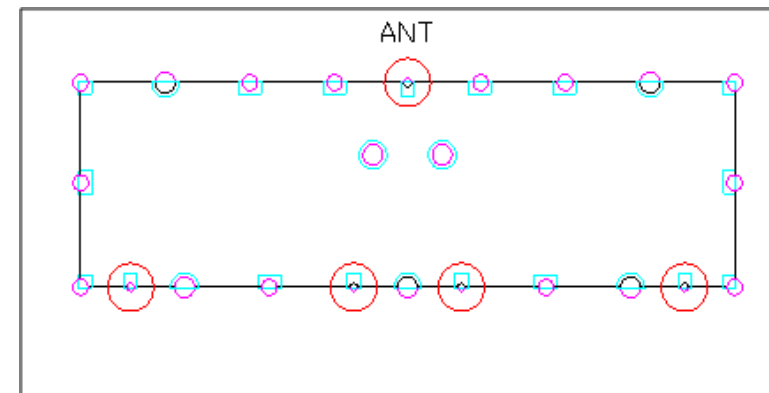
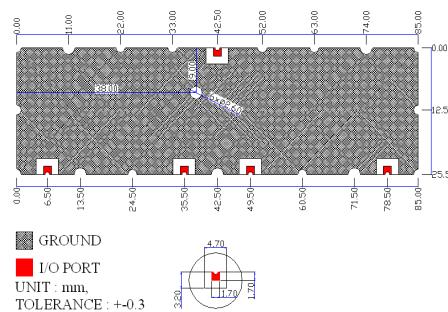
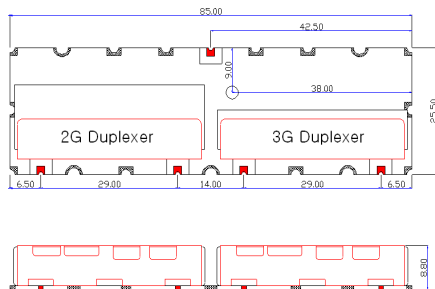


1. PART NO : RFG_CDMA/US PCS-Multiplexer

2. ELECTRICAL SPECIFICATION

| ITEM | SPEC | | | | UNIT |
|-------------------------------------|--------------|--------------|-------------|--------------|--------|
| Center Frequency(Fo) | 836.5(port1) | 881.5(port2) | 1880(port3) | 1960(port 4) | MHz |
| Band Width(BW) | 824~849 | 869~894 | 1850~1910 | 1930~1990 | MHz |
| Insertion Loss | 2.5 | 2.5 | 3.5 | 3.5 | dB max |
| Ripple | 0.8 | 0.8 | 2.0 | 2.0 | dB max |
| Return Loss | 18.0 | 18.0 | 18.0 | 18.0 | dB min |
| ATTENUATION (absolute value) | at port 2 50 | por1 50 | por1 50 | por1 50 | dB min |
| | at port 3 50 | por3 50 | por2 50 | por2 50 | dB min |
| | at port 4 50 | por4 50 | por4 45 | por3 45 | dB min |
| | at | | 1920MHZ 12 | 1920MHZ 12 | dB min |
| Operation Temperature Range | -30 ~ +80 | | | | ℃ |
| Input Power | 2.0 max | | | | W |
| In / Out Impedance | 50 | | | | Ω |

3. DIMENSION



4. TYPICAL CHARACTERISTIC

